

Model WFM 270

TV Talker FM System

MANUAL AND USER GUIDE

Transmitter Model WFM TX260
Receiver Model WFM RX270



Model WFM 270

TV Talker FM System

Contents

System Overview.....	3
System Components.....	3
Safety Information.....	4
Recycling Instructions.....	5
Operating Instructions	6
WFM TX260	6
WFM RX270.....	10
In Case of Difficulty	12
FCC Caution.....	13
System Specifications.....	14
Warranty.....	16

System Overview

Thank you for purchasing the TV Talker FM System from Williams Sound Corp. Anyone needing auditory assistance to overcome background noise, reverberation, or distance from the sound source can benefit from the TV Talker FM System.

You can use the TV Talker FM System for hearing assistance in conference rooms, listening to the TV, or with other audio equipment. The TX260 Transmitter features an Automatic Level Control to adjust for different audio signal levels and to maintain a comfortable listening level.

As with most radio (FM) systems, the transmitter and receiver do not need to be kept in the same room, the radio signal can pass through most walls.

Please read through this manual carefully for proper setup and installation instructions.

If you have problems at anytime with these systems, do not hesitate to call us toll-free at 1-800-843-3544.

WFM 270 System Components

- WFM TX260 Transmitter
- Power Supply TFP 042
- TV Microphone (MIC 084)
- WFM RX270 Receiver
- 1m Audio Cable with dual RCA plugs (WCA 078)
- Two Rechargeable Batteries (BAT AP11A)

Safety Information

HEARING SAFETY:

CAUTION!

This product is designed to amplify sounds to a high volume level which could potentially cause hearing damage if used improperly.

To protect your hearing and the hearing of others:

1. Make sure the volume is turned down before putting on the earphone or headphone before adjusting the volume to a comfortable level.
2. Set the volume level at the minimum setting that you need to hear.
3. If you experience feedback (a squealing or howling sound), reduce the volume setting and move the microphone away from the earphone or headphone.
4. Do not allow children or other unauthorized persons to have access to this product.

PACEMAKER SAFETY:

CAUTION!

1. Before using this product with a pacemaker or other medical device, consult your physician or the manufacturer of your pacemaker or other medical device.
2. If you have a pacemaker or other medical device, make sure that you are using this product in accordance with safety guidelines established by your physician or the pacemaker manufacturer.

Recycling Instructions

Help Williams Sound protect the environment! Please take the time to dispose of your equipment properly.



Product Recycling for Customers in the European Union

Please do NOT dispose of your Williams Sound equipment in the household trash. Please take the equipment to an electronics recycling center; OR, return the product to the factory for proper disposal.



Battery Recycling for Customers in the European Union

Please do NOT dispose of used batteries in the household trash. Please take the batteries to a retail or community collection point for recycling.

Setting up the TX260 Transmitter

NOTICE: THE RECHARGEABLE BATTERIES ARE SHIPPED IN A DISCHARGED STATE. THE BATTERIES MUST BE CHARGED OVERNIGHT BEFORE USING THE TV TALKER FM SYSTEM.

The WFM TX260 Transmitter may be placed on top of a TV or shelf.

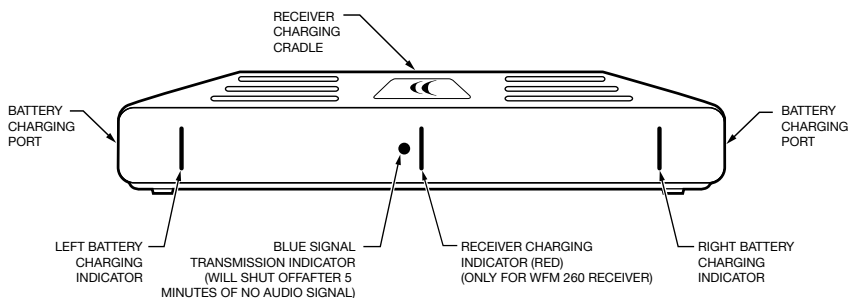
The maximum operating distance is up to 100 feet (30.48 m).

Any number of receivers may be used with the TX260 Transmitter, but use only one transmitter per channel in a room at the same time. Otherwise, interference will occur.

Up to three TX260 Transmitters can be used in one room when each transmitter is set to one of the three channels (A, B or C).

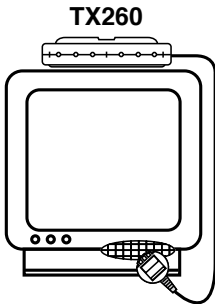
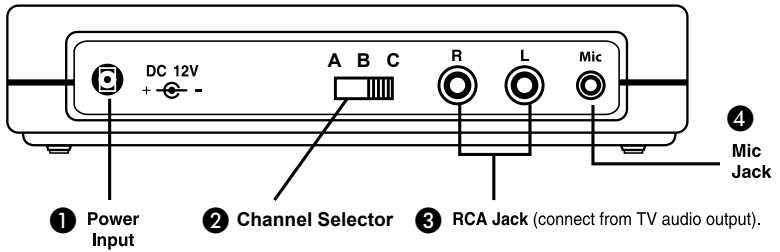
Charging LED's will be RED when charging, then green when battery is charged.

TX260 Transmitter (Front View)



A200

TX260 Transmitter (Rear View)



5 TV Microphone

If an RCA connection is unavailable, use the provided TV microphone to pickup the sound source directly from the TV loud speaker as shown on left.

Step 1: Connect the Transmitter Power Supply

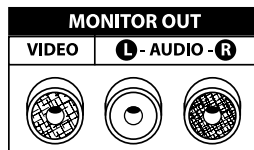
Plug the Power Supply cord into the "DC 12V" jack 1 on the back of the TX260. Then plug the Power Supply into an AC outlet. When the receiver is placed into the charging cradle built into the top of the transmitter, the center charging indicator on the front of the TX260 will turn on. When the spare battery is plugged into the left or right battery charging port on the transmitter, the corresponding charge indicator light will turn on.

Step 2: Connect the Transmitter to the Audio Source

Use the supplied red and white RCA audio cables to connect the TX260 Transmitter directly to the TV, VCR, or stereo "AUDIO OUT" jacks. If your television does not have "AUDIO OUT" jacks, you will need use the supplied TV microphone. See item 5 above for TV microphone instructions.



- or -



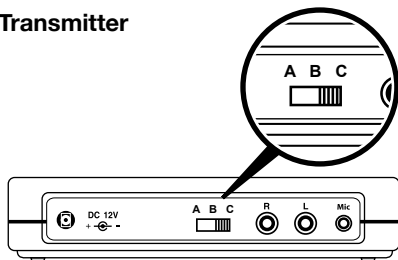
Step 2: (continued)

NOTE: Some televisions have **FIXED** output and others have **VARIABLE** output. If available, **FIXED** output should be selected. Consult your television manual for more information. “Fixed” output means the volume on the television will not change when the volume is increased, decreased, or muted. “Variable” output means the volume on the television will change when it is increased, decreased, or muted. If variable output is the only output available on your television, we recommend using the supplied TV microphone. See page 9 for TV microphone instructions.

Step 3: Channel Selector A, B, C

With the channel selector you can change the frequency of the transmitter. If channel A is distorted you can change to another channel.

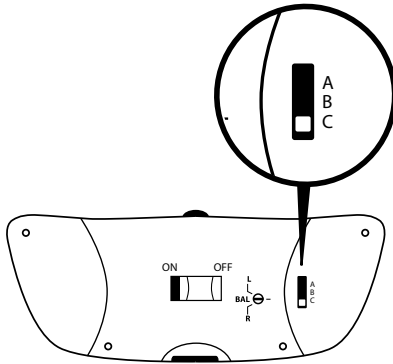
Transmitter



NOTE: If the transmitter is switched to another channel, the receiver also has to be set to the same channel.

The channel selector is located on the rear side of the transmitter or receiver. Transmitter and receiver must both be set to the same channel.

RX270 Receiver



Step 4

If an RCA connection is unavailable, use the provided TV MICROPHONE to pick up the desired sound source. Plug in the microphone into the Mic Jack on the rear of the TX260 Transmitter. Use the velcro strip supplied to attach the microphone near the loudspeaker of your TV or stereo.

The microphone will allow you to play the TV at lower volume for other listeners and will pick up other important sounds like the telephone or doorbell ringing.

Setting up the RX270 Receiver

Step 1: Install the Receiver Batteries

Insert the rechargeable battery into the bottom of the RX270 Receiver (see page 12). Place the receiver into the charger cradle built into the top of the TX260 Transmitter and let charge overnight. The spare battery can be plugged into the charging port located on either side of the transmitter. By keeping the spare battery charged, you can easily swap batteries when the one in use runs out and always have a fresh battery ready. A fully charged battery will operate the receiver for approximately 6 hours, depending on the volume setting. The battery should be changed when you notice the sound getting weak and noisy. The batteries may be left charging when not in use.

Step 2: Using the WFM RX270 Receiver

To use the system, first check to make sure your TV or audio source is turned ON. Make sure the receiver battery is fully charged. The RX270 Receiver has an on/off switch on the rear side. Rotate the volume control to adjust the volume to a comfortable level.

Return the receiver to the charger when it is not in use.

Additional Receiver Adjustments

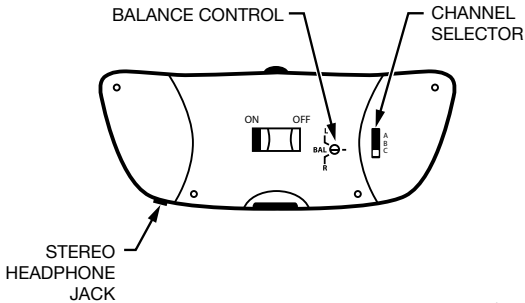
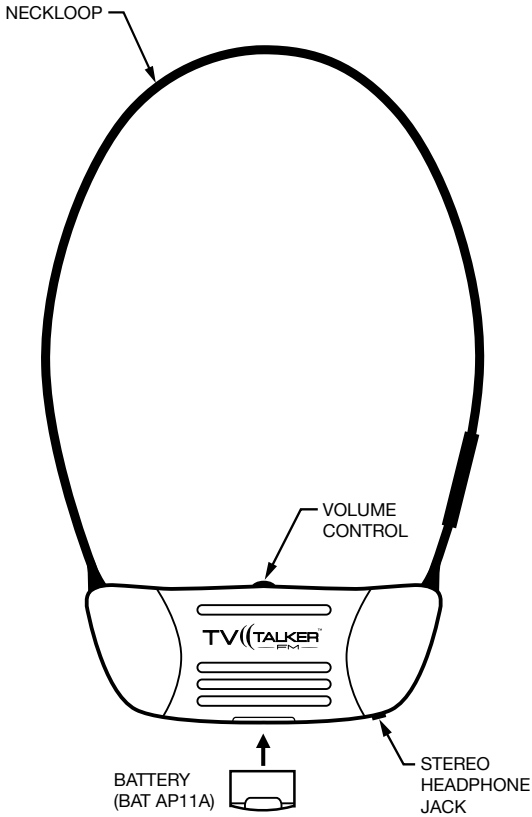
Balance Control

Use a small screwdriver to adjust the loudness balance between the left and/or right earphones. See page 11.

The RX270 will work with hearing aids equipped with a T-coil.

The RX270 can be used with stereo earphones or headphones.

WFM RX270



In Case of Difficulty

If the system does not seem to be functioning, read through the manual and user guide carefully to verify proper setup and installation of your system.

1. Make sure that your television or VCR is plugged in and turned on.
2. Make sure that the TX260 Transmitter's power adapter is plugged in.
3. Make sure that the receiver has a fully charged battery.
4. Make sure Transmitter and Receiver channels are set to the same channel.
5. If you are getting static or radio interference, change Transmitter and Receiver to one of the other channels.
6. If you are using the TV microphone and not getting a signal, try turning up the TV volume up slightly. Also, try positioning the TV mic directly over the TV speaker.
7. If using RX270 with hearing aid, make sure the hearing aid has the T-coil switch turned on.
8. If the system still does not function, call Williams Sound at: 1-800-843-3544.

Federal Communication Commission Interference Statement

This equipment has been tested and found to comply with the limits for a Class B digital device, pursuant to Part 15 of the FCC Rules. These limits are designed to provide reasonable protection against harmful interference in a residential installation.

This equipment generates, uses and can radiate radio frequency energy and, if not installed and used in accordance with the instructions, may cause harmful interference to radio communications. However, there is no guarantee that interference will not occur in a particular installation. If this equipment does cause harmful interference to radio or television reception, which can be determined by turning the equipment off and on, the user is encouraged to try to correct the interference by one of the following measures:

- Reorient or relocate the receiving antenna.
- Increase the separation between the equipment and receiver.
- Connect the equipment into an outlet on a circuit different from that to which the receiver is connected.
- Consult the dealer or an experienced radio/TV technician for help.

FCC Caution

To assure continued compliance, any changes or modifications not expressly approved by the party responsible for compliance could void the user's authority to operate this equipment. (Example - use only shielded interface cables when connecting to computer or peripheral devices).

System Specifications:

WFM TX260 Transmitter:

Size, Weight, Color:	6.25"L x 4"W x 1.4"H (15.9cm x 10.2cm x 3.6cm), 200g, Silver
Power Input:	12VDC (center is positive), 200 mA Class II wall transformer
	TFP 042 100 - 240 VAC 12VDC Out 50/60Hz
Subcarrier Frequency:*	CH A: 916.25 MHz
	CH B: 916.75 MHz
	CH C: 917.75 MHz
Range:	100ft. (30.5m)
Power Output:	1mW
Auto Power On/Off:	Blue signal transmission indicator will shut off after 5 minutes of no audio signal. Battery charging functions remain on full time.
Indicators:	Blue LED - Indicates incoming audio signal active Red LED - Battery charging Green LED - Battery charged/ready
Microphone Input:	3.55 mm jack for MIC 084 Electret TV Microphone, 1.5 k Ω
Line Inputs:	2 RCA jacks for mono or stereo line-level sources
	200 mV min. to 10 V rms max. input level, 5.1 k Ω
Charging Ports:	Charges one WFM RX260 Receiver plus two additional BAT AP11A NiMH battery packs
Approvals:	RoHS, WEEE
Warranty:	2 years*

*Frequencies utilized allow for legal use in the USA.

*90 days on cords, batteries, power supply, and other accessories.

System Specifications:

WFM RX270 Receiver:

Weight:	59 g
Material and Color:	ABS plastic, Silver
Battery Type, Life:	BAT AP11A NIMH Battery Pack, 4 to 6 hrs
Modulation Frequency:*	CH A: 916.25 MHz
	CH B: 916.75 MHz
	CH C: 917.75 MHz
Frequency Response:	15 Hz to 20 kHz, \pm 5dB
Signal-to-Noise Ratio:	60 dB
Controls:	Volume control thumbwheel; screwdriver adjust balance controls
Acoustic Output:	120 dBA
Headphone Output:	3.5 mm stereo jack
Compatibility:	Compatible with WFM TX260
Power Switch:	Switch located on rear side of receiver
Volume Control:	Located on top of receiver Includes volume control protector shield
Approvals:	RoHS, WEEE
Warranty:	2 years, parts and labor*

*Frequencies utilized allow for legal use in the USA.

*90 days on cords, batteries, power supply, and other accessories.

LIMITED WARRANTY

Williams Sound products are engineered, designed and manufactured under carefully controlled conditions to provide you with many years of reliable service. Williams Sound warrants the TV TALKER FM System against defects in materials and workmanship for TWO (2) years. During the first two years from the purchase date, we will promptly repair or replace the TV TALKER FM System.

Microphones, earphones, headphones, batteries, cables, carry cases, and all other accessory products carry a 90-day warranty. Chargers carry a one year warranty.

WILLIAMS SOUND HAS NO CONTROL OVER THE CONDITIONS UNDER WHICH THIS PRODUCT IS USED. WILLIAMS SOUND, THEREFORE, DISCLAIMS ALL WARRANTIES NOT SET FORTH ABOVE, BOTH EXPRESS AND IMPLIED, WITH RESPECT TO THE TV TALKER FM SYSTEM, INCLUDING BUT NOT LIMITED TO, ANY IMPLIED WARRANTY OF MERCHANTABILITY OR FITNESS FOR A PARTICULAR PURPOSE. WILLIAMS SOUND SHALL NOT BE LIABLE TO ANY PERSON OR ENTITY FOR ANY MEDICAL EXPENSES OR ANY DIRECT, INCIDENTAL OR CONSEQUENTIAL DAMAGES CAUSED BY ANY USE, DEFECT, FAILURE OR MALFUNCTION OF THE PRODUCT, WHETHER A CLAIM FOR SUCH DAMAGES IS BASED UPON WARRANTY, CONTRACT, TORT OR OTHERWISE. THE SOLE REMEDY FOR ANY DEFECT, FAILURE OR MALFUNCTION OF THE PRODUCT IS REPLACEMENT OF THE PRODUCT. NO PERSON HAS ANY AUTHORITY TO BIND WILLIAMS SOUND TO ANY REPRESENTATION OR WARRANTY WITH RESPECT TO THE TV TALKER FM SYSTEM. UNAUTHORIZED REPAIRS OR MODIFICATIONS WILL VOID THE WARRANTY.

The exclusions and limitations set out above are not intended to, and should not be construed so as to contravene mandatory provisions of applicable law. If any part or term of this Disclaimer of Warranty is held to be illegal, unenforceable or in conflict with applicable law by a court of competent jurisdiction, the validity of the remaining portions of this Disclaimer of Warranty shall not be affected, and all rights and obligations shall be construed and enforced as if this Limited Warranty did not contain the particular part or term held to be invalid.

If you experience difficulty with your system, call Toll-Free for Customer Assistance:

1-800-843-3544

If it is necessary to return the system for service, your Customer Service Representative will give you a Return Authorization Number (RA) and shipping instructions.

Pack the system carefully and send it to:

Williams Sound
Attn: Repair Dept.
10300 Valley View Rd
Eden Prairie, MN 55344



10300 Valley View Rd • Eden Prairie, MN 55344

800-328-6190 / 952-943-2252 • FAX: 952-943-2174

www.williamssound.com

©2012 Williams Sound • All Rights Reserved

MAN 151i